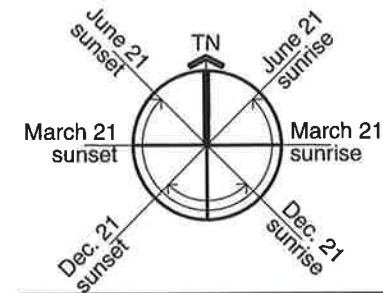
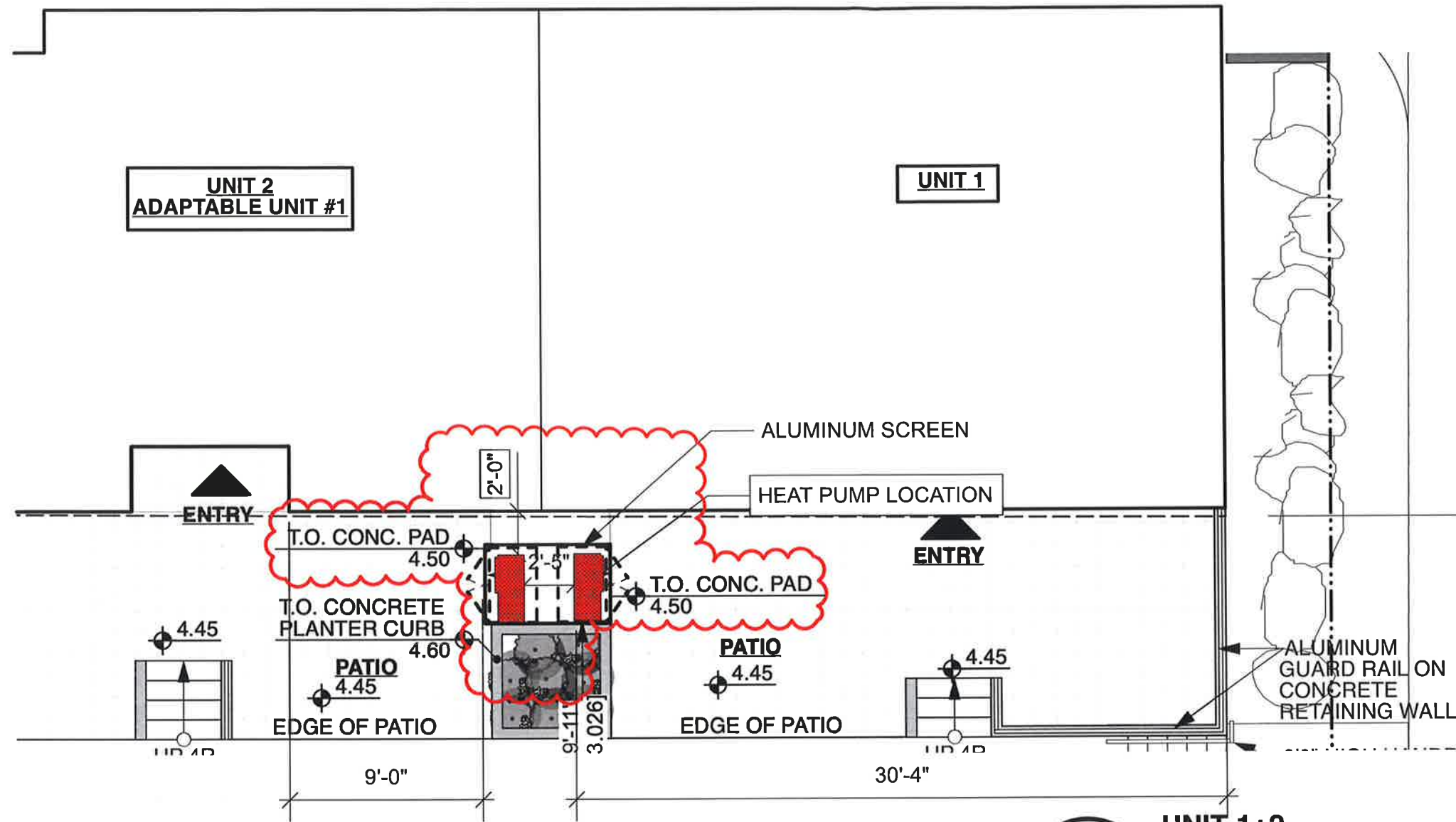


RECEIVED
OCT 24 2022

TOWN OF SIDNEY



FINLAYSON BONET ARCHITECTURE LTD.

#4 - 7855 East Saanich Rd.
Saanichton V8M 2B4
P: 250-656-2224
E: info@finlaysonbonet.ca

Checked SB
Drawn AV
Scale N.T.S.

Date
OCT 17, 2022

Project Name
WILLOW GROVE
5TH AND ORCHARD
9647 FIFTH STREET /
2413 ORCHARD AVE,
SIDNEY, BC

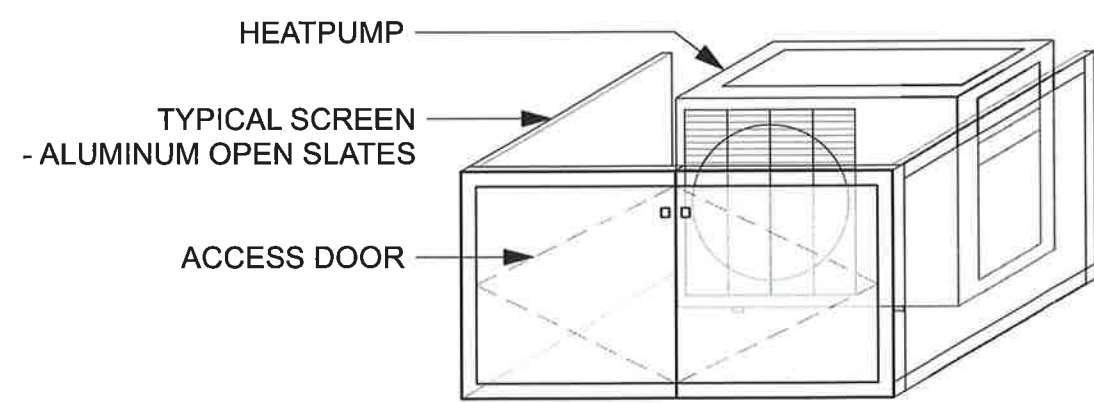
Drawing Title
**UNIT 1 + 2
HEATPUMP
LOCATION**

Drawing No.
ASK 18.1

Project No.
17188

© Copyright reserved. These plans and designs are and at all times remain the property of Finlayson Bonet Architecture to be used for the project shown and may not be reproduced without written consent.

1
**UNIT 1+2
SITE PLAN PARTIAL**
ASK18.1 SCALE: 1/8" = 1'-0"



2
TYPICAL SCREEN
ASK18.2 SCALE: 1/8" = 1'-0"

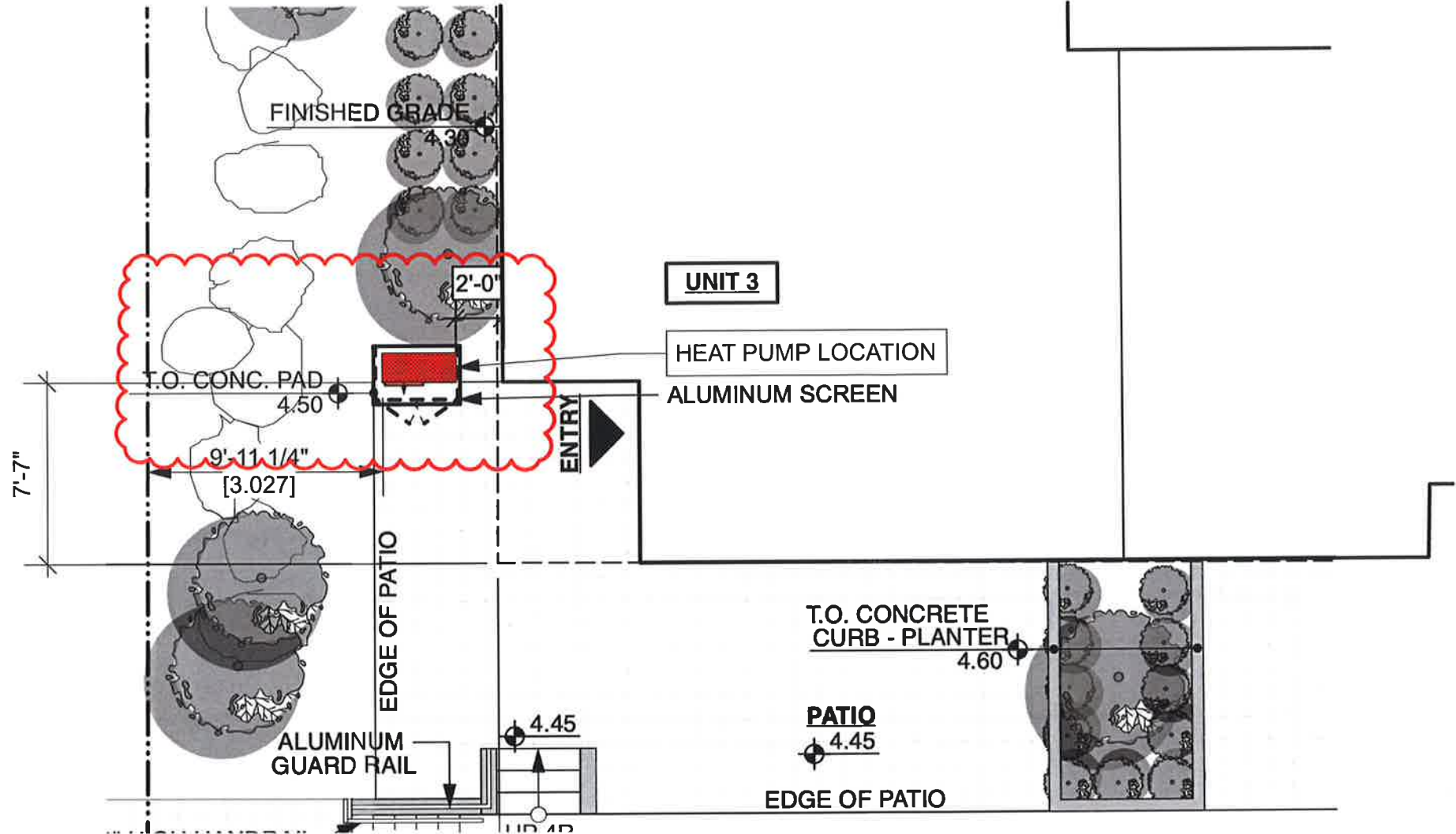
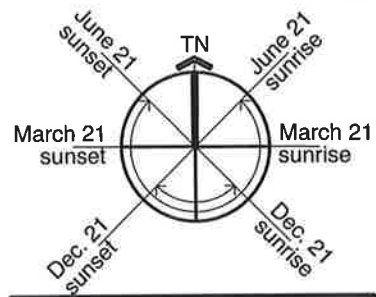


SCREEN EXAMPLE
SCALE: N.T.S.

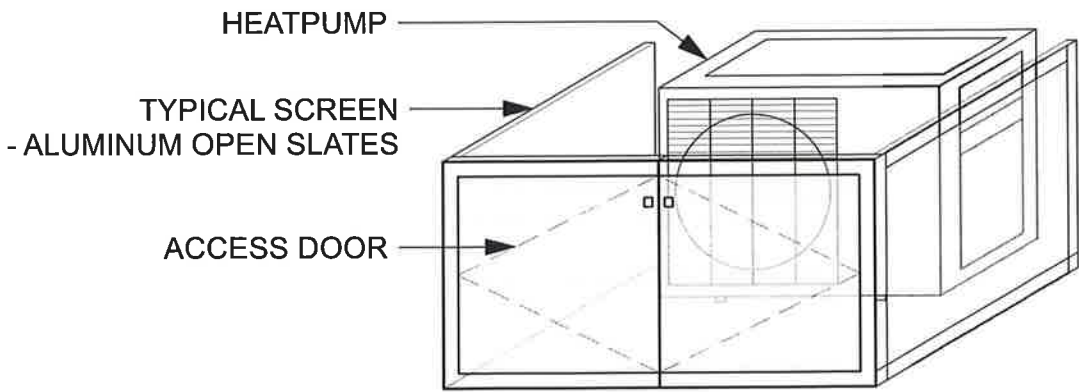
DV 100327

RECEIVED
OCT 24 2022

TOWN OF SIDNEY




1
ASK 18.2
**UNIT 3
SITE PLAN PARTIAL**
SCALE: 1/8" = 1'-0"



2
ASK 18.2
TYPICAL SCREEN
SCALE: 1/8" = 1'-0"



SCREEN EXAMPLE
SCALE: N.T.S



**FINLAYSON
BONET**
ARCHITECTURE LTD.

#4 - 7855 East Saanich Rd.
Saanichton V8M 2B4
P: 250-656-2224
E: info@finlaysonbonet.ca

Checked	SB
Drawn	AV
Scale	N.T.S

Date
OCT 17, 2022

Project Name
WILLOW GROVE
5TH AND ORCHARD
9647 FIFTH STREET /
2413 ORCHARD AVE,
SIDNEY, BC

Drawing Title
**UNIT 3
HEATPUMP
LOCATION**

Drawing No.
ASK 18.2

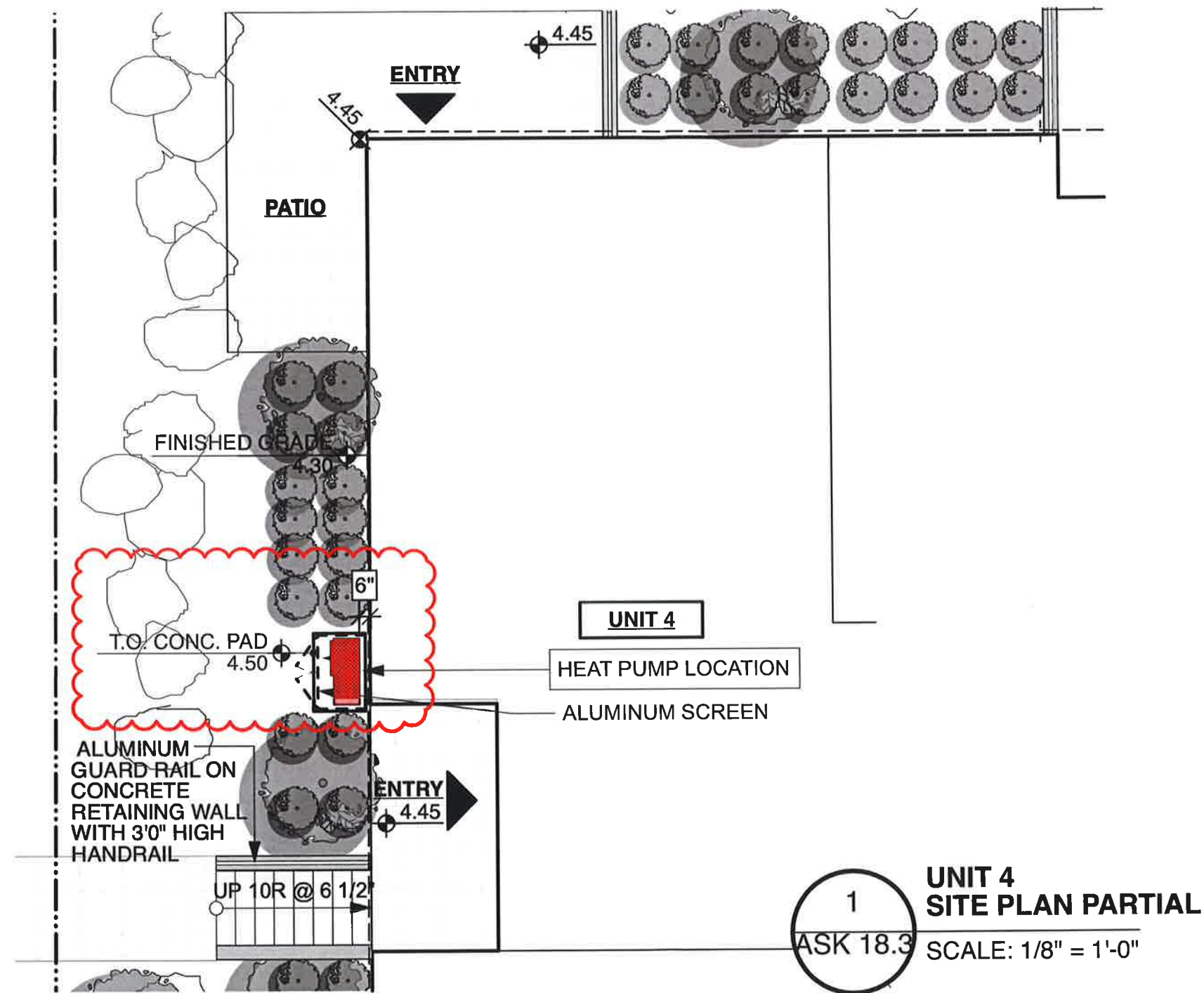
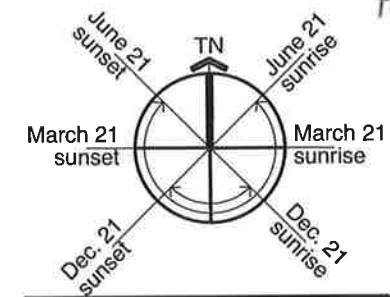
Project No.
17188

© Copyright reserved. These plans and designs are and at all times remain the property of Finlayson Bonet Architecture to be used for the project shown and may not be reproduced without written consent.

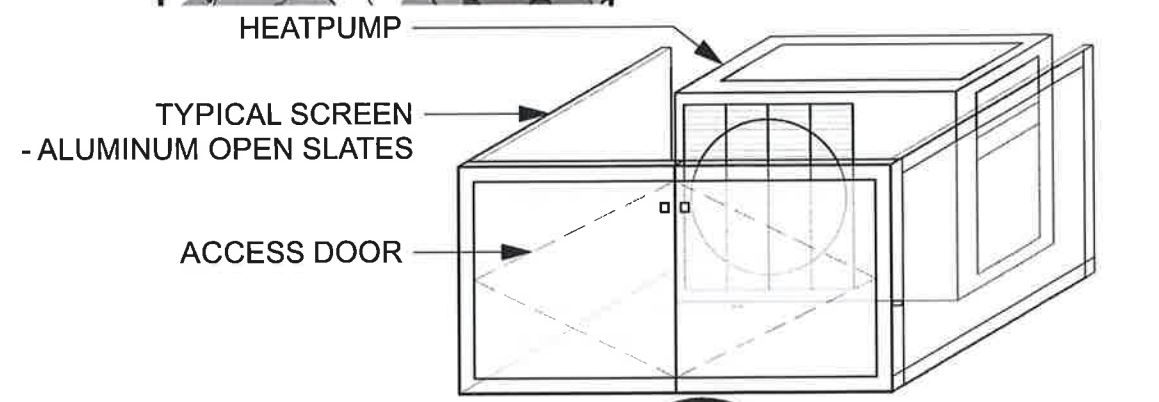
DV100327

RECEIVED
OCT 24 2022

TOWN OF SIDNEY



1
UNIT 4
SITE PLAN PARTIAL
ASK 18.3 SCALE: 1/8" = 1'-0"



2
TYPICAL SCREEN
ASK 18.3 SCALE: 1/8" = 1'-0"



SCREEN EXAMPLE
SCALE: N.T.S

FINLAYSON BONET ARCHITECTURE LTD.
 #4 - 7855 East Saanich Rd.
 Saanichton V8M 2B4
 P: 250-656-2224
 E: info@finlaysonbonet.ca

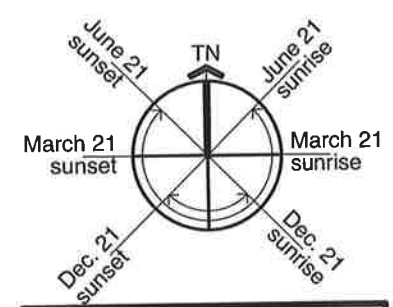
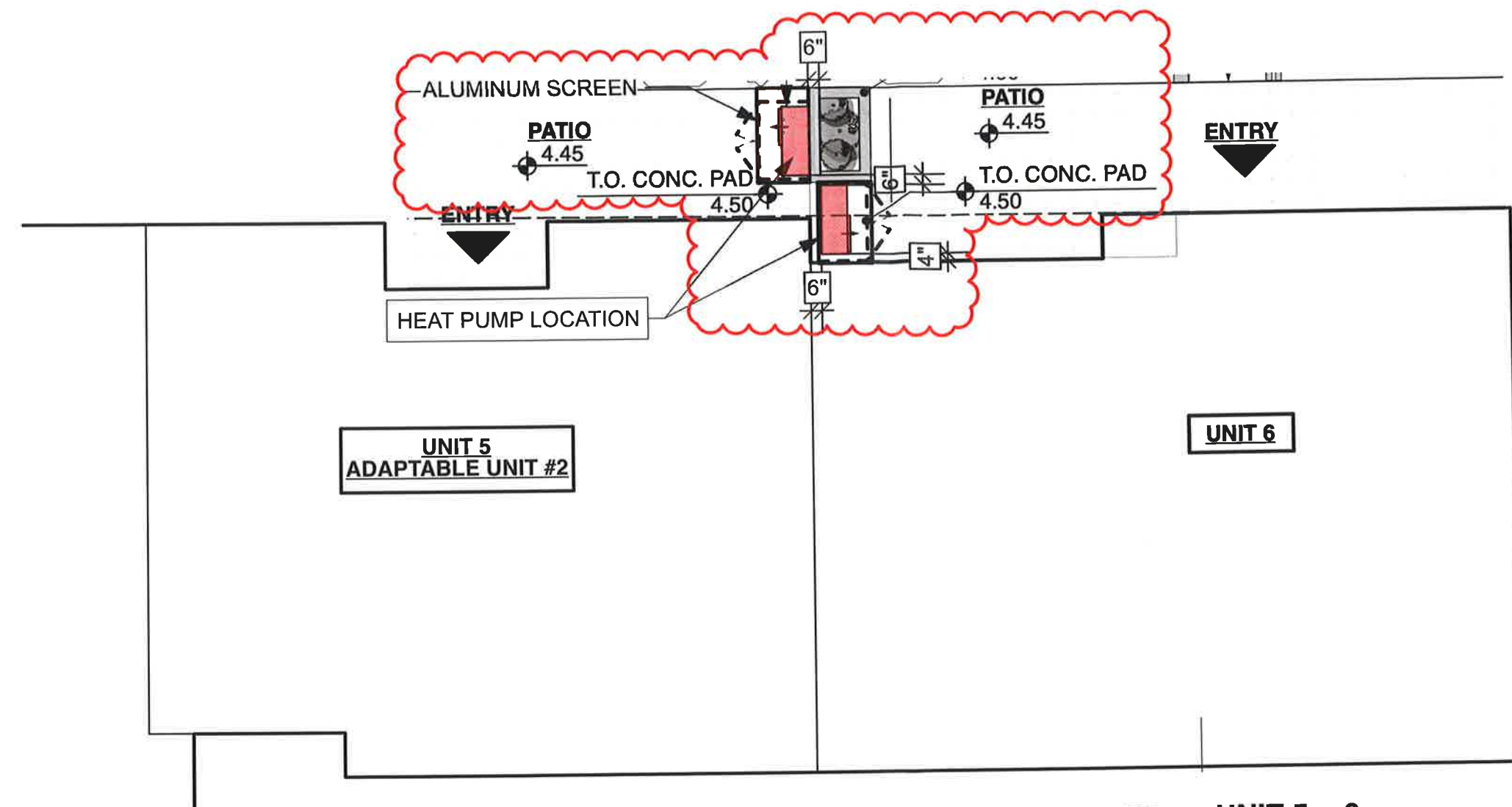
Checked	SB
Drawn	AV
Scale	N.T.S
Date	OCT 17, 2022
Project Name	WILLOW GROVE 5TH AND ORCHARD 9647 FIFTH STREET / 2413 ORCHARD AVE, SIDNEY, BC
Drawing Title	UNIT 4 HEATPUMP LOCATION
Drawing No.	ASK 18.3
Project No.	17188


© Copyright reserved. These plans and designs are and at all times remain the property of Finlayson Bonet Architecture to be used for the project shown and may not be reproduced without written consent.

DV120327

RECEIVED
OCT 24 2022

TOWN OF SIDNEY





**FINLAYSON
BONET**
ARCHITECTURE LTD.

#4 - 7855 East Saanich Rd.
Saanichton V8M 2B4
P: 250-656-2224
E: info@finlaysonbonet.ca

Checked	SB
Drawn	AV
Scale	N.T.S
Date	OCT 17, 2022

Project Name
WILLOW GROVE
5TH AND ORCHARD
9647 FIFTH STREET /
2413 ORCHARD AVE,
SIDNEY, BC

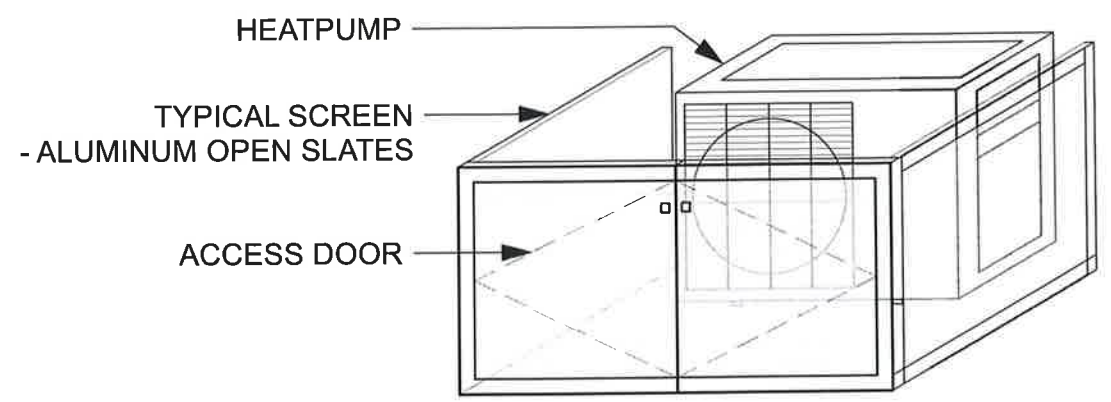
Drawing Title
**UNIT 5+6
HEATPUMP
LOCATION**

Drawing No.
ASK 18.4

Project No.
17188

© Copyright reserved. These plans and designs are and at all times remain the property of Finlayson Bonet Architecture to be used for the project shown and may not be reproduced without written consent.

1
**UNIT 5 + 6
SITE PLAN PARTIAL**
ASK 18.4 SCALE: 1/8" = 1'-0"



2
TYPICAL SCREEN
ASK 18.4 SCALE: N.T.S



SCREEN EXAMPLE
SCALE: N.T.S

DV 100327